



New Product Announcement



Sliding Door System for Interior Office Applications

The AL Tech™ division of Custom Components Company announces the introduction of our latest new product - EZ Access™ sliding glass door system for interior office fronts. Originally developed for the specific requirements of a global accounting firm, this new door saves floor space, compared to conventional swinging doors, while providing improved access to offices. It's quiet, smooth and easy to operate.

It also offers greater design flexibility for office environments. Manufactured of high quality aluminum in clear anodized and six standard powder coat paint finishes (Bronze, White, Grey, Black, Beige and Silver). Contact us at 1-800-516-9474 for more information.

Custom Components Company

13902 Lynmar Boulevard

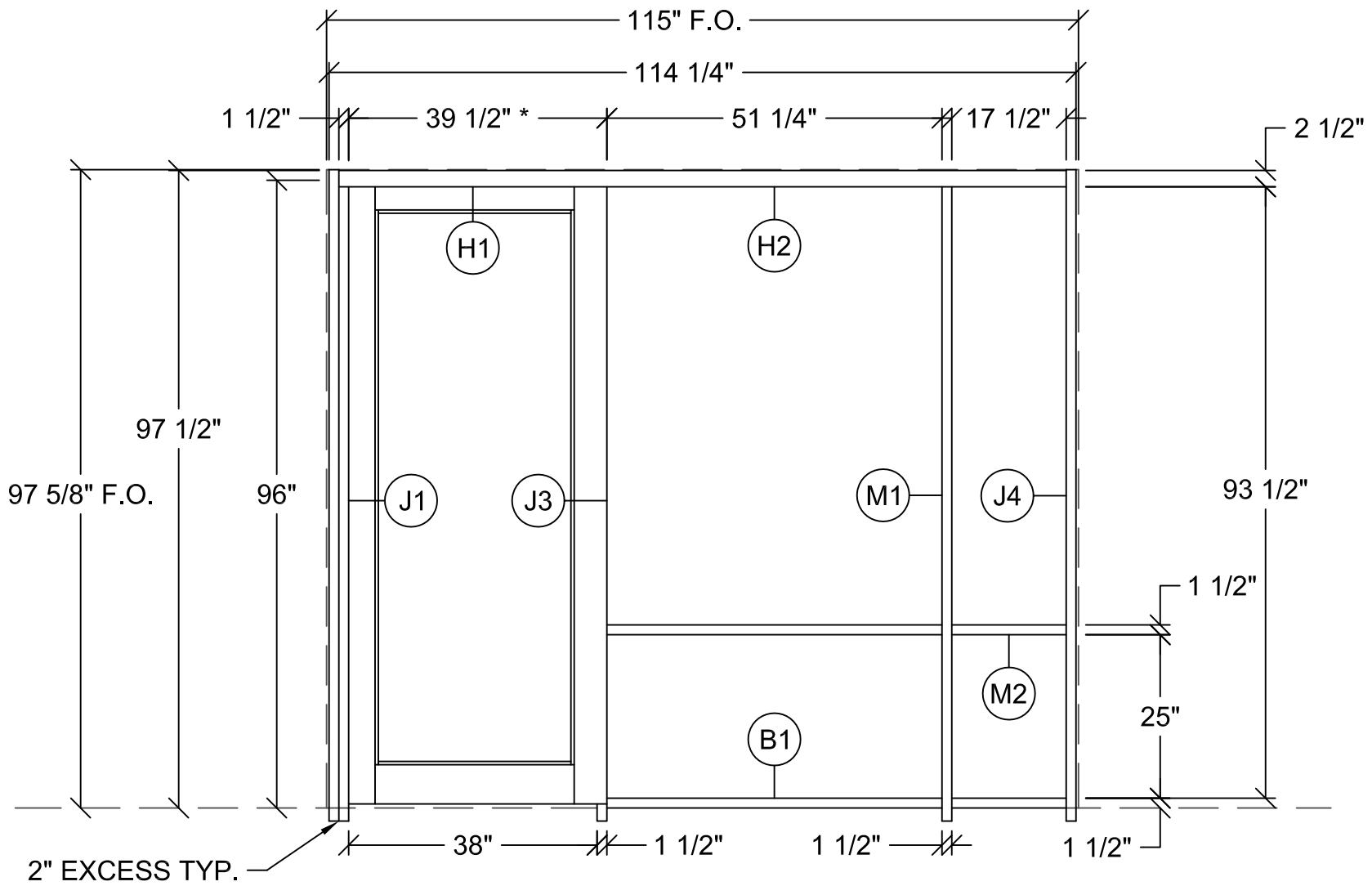
Tampa, Florida 33626

1-800-516-9474

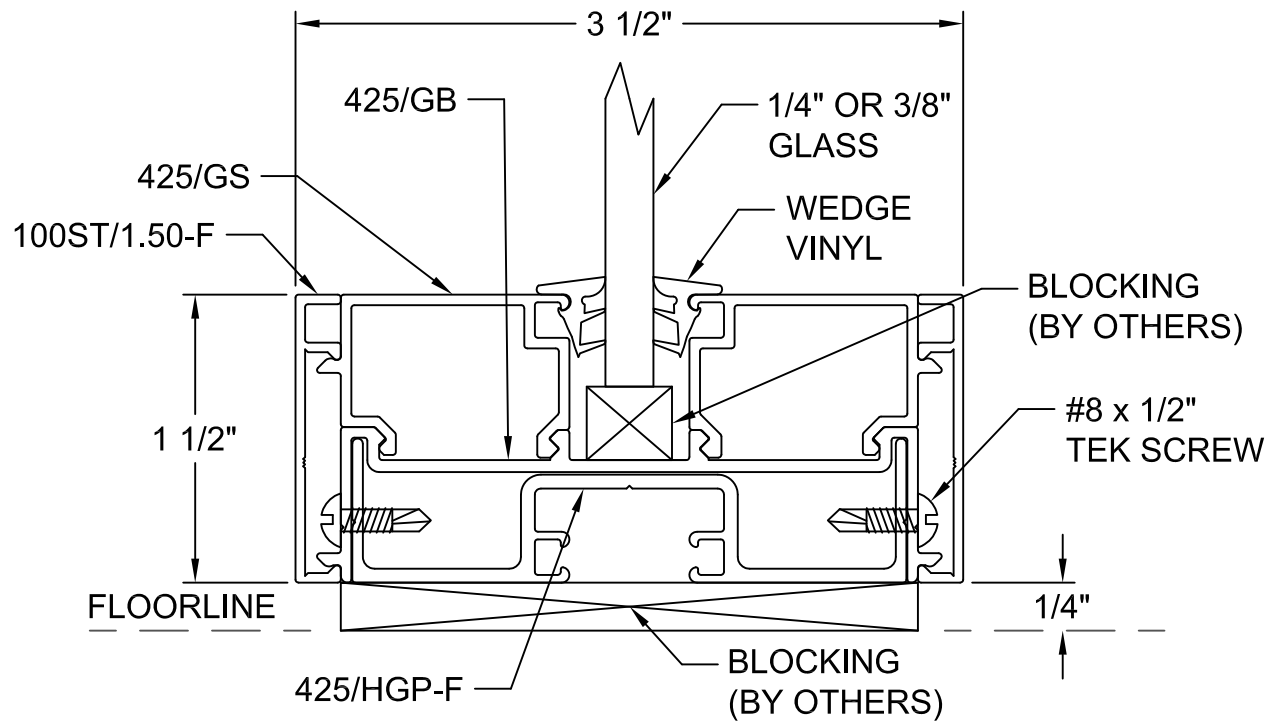
www.cc-aep.com



SLIDING DOOR SYSTEM SECTION DRAWINGS



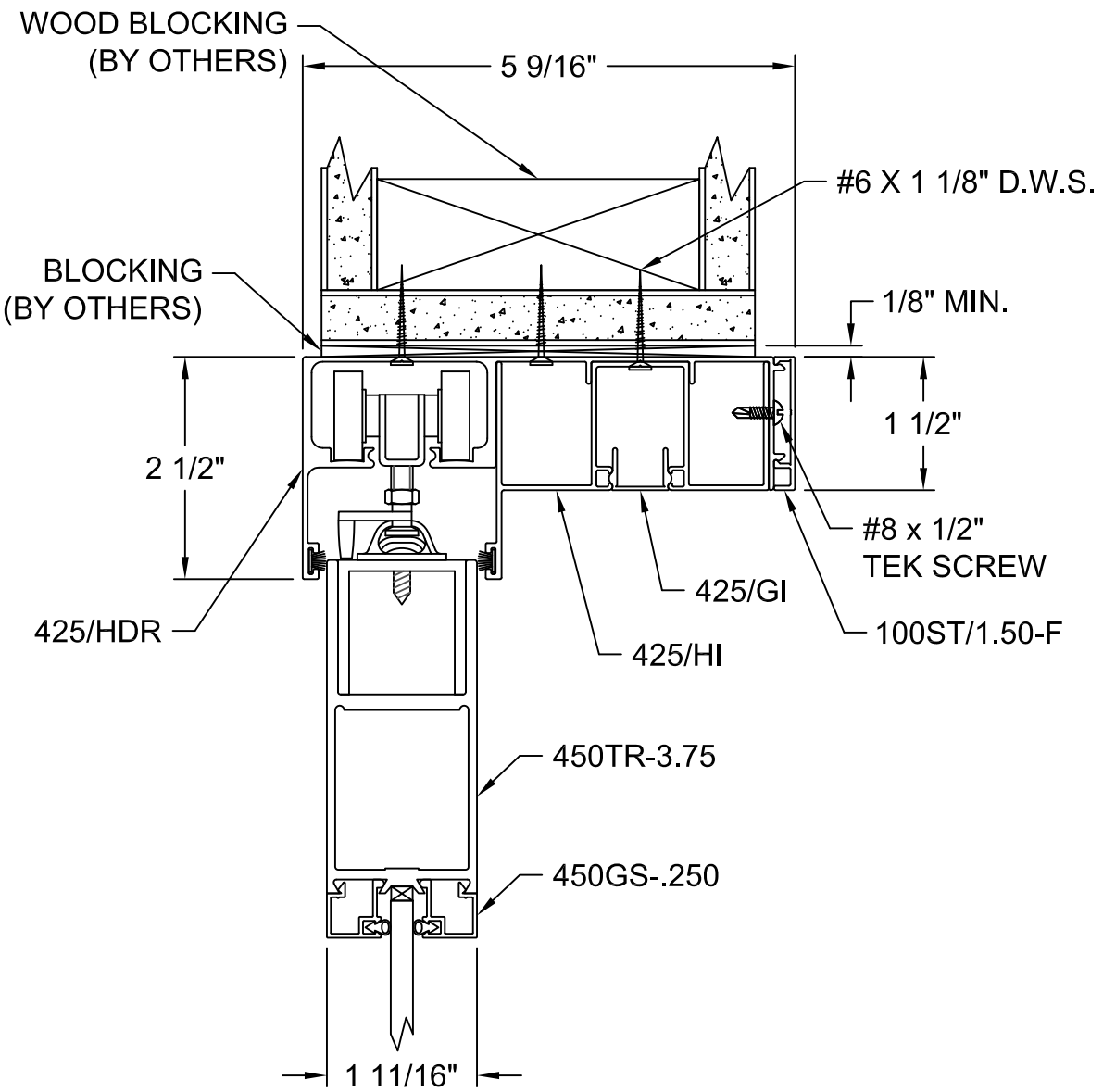
SCALE: 1/2"=1'-0"



SCALE: 1=1

DATE: 01/01/2011

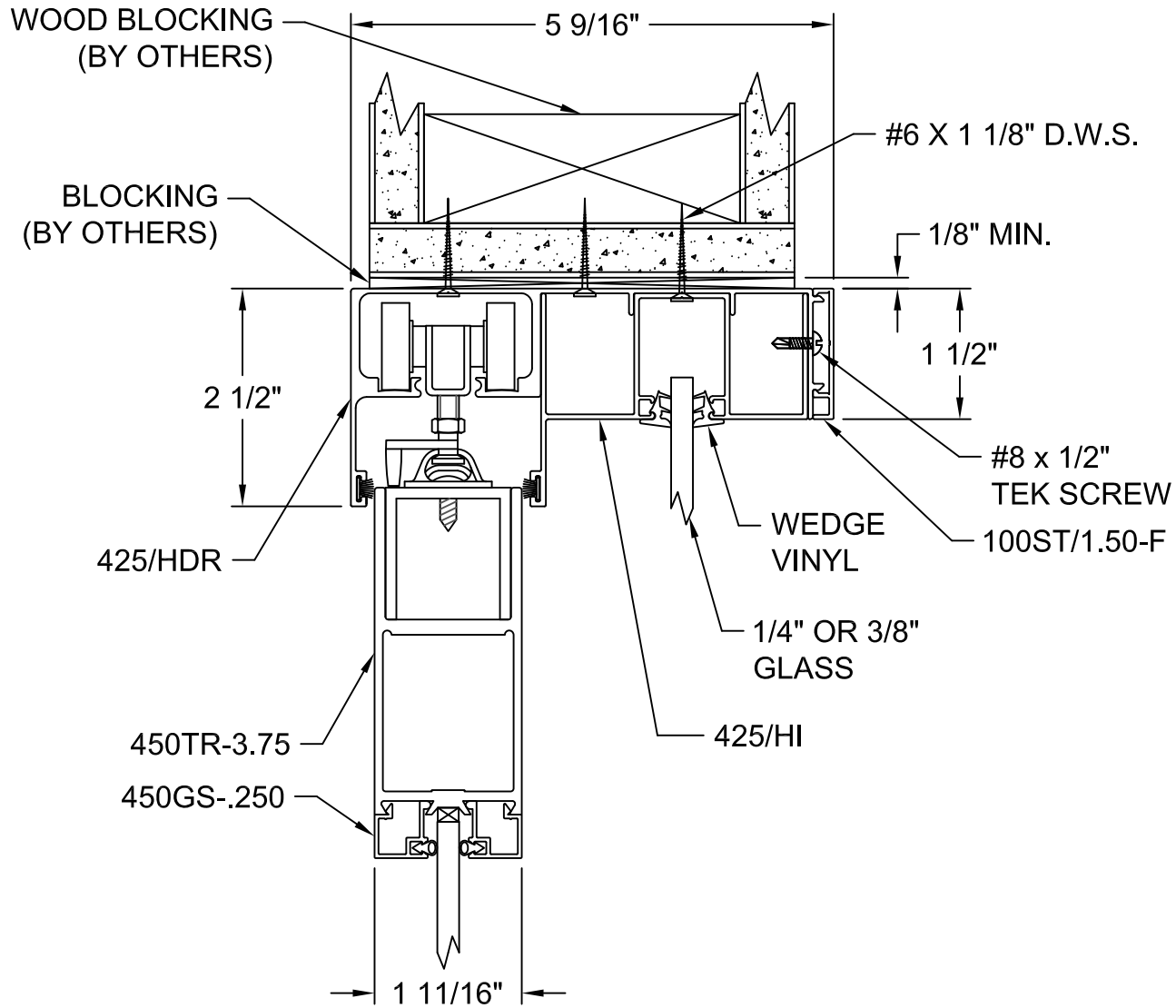
SECT.
B1



SCALE: 1/2=1

DATE: 01/01/2011

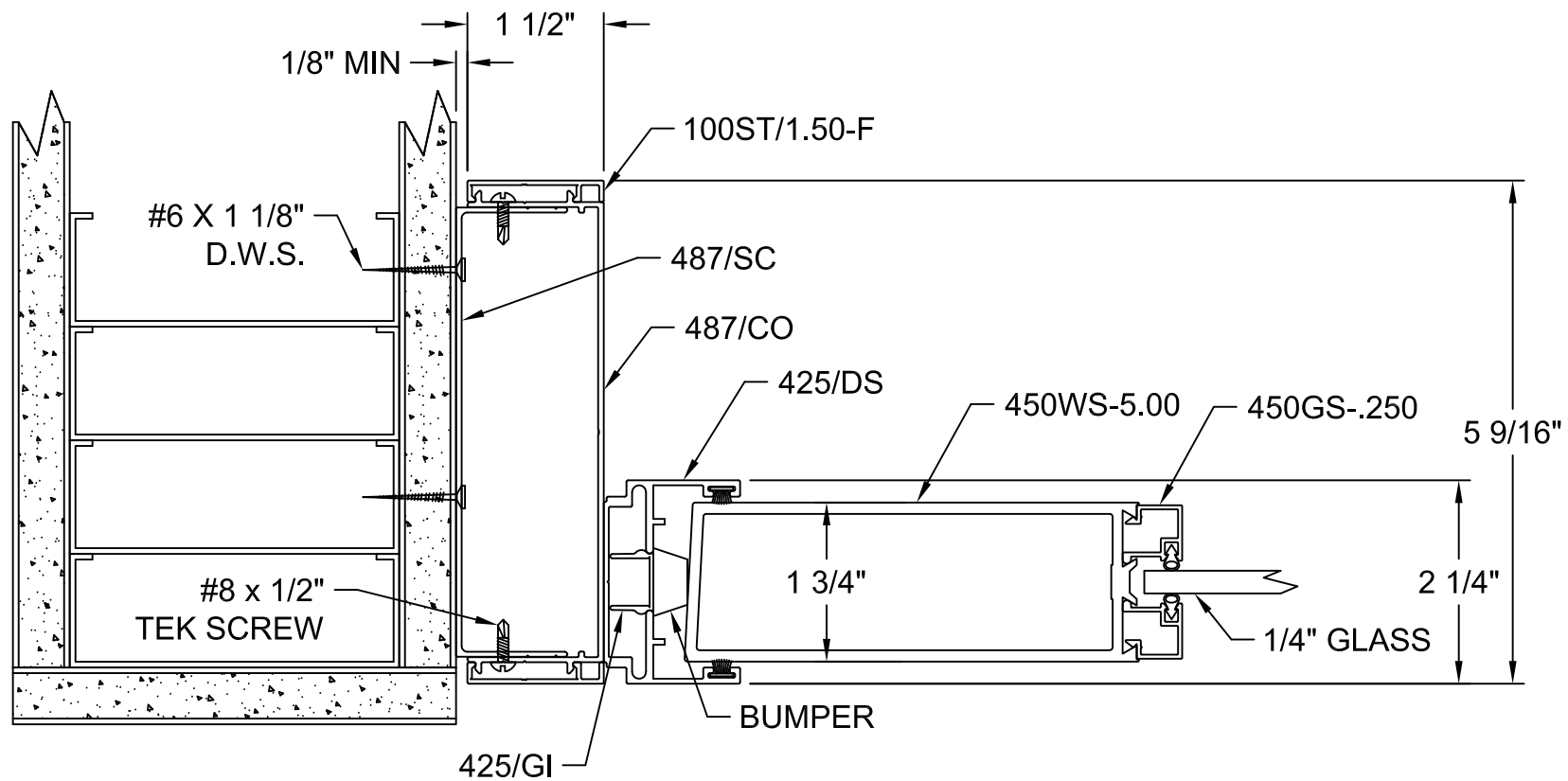
SECT.
H1



SCALE: 1/2=1

DATE: 01/01/2011

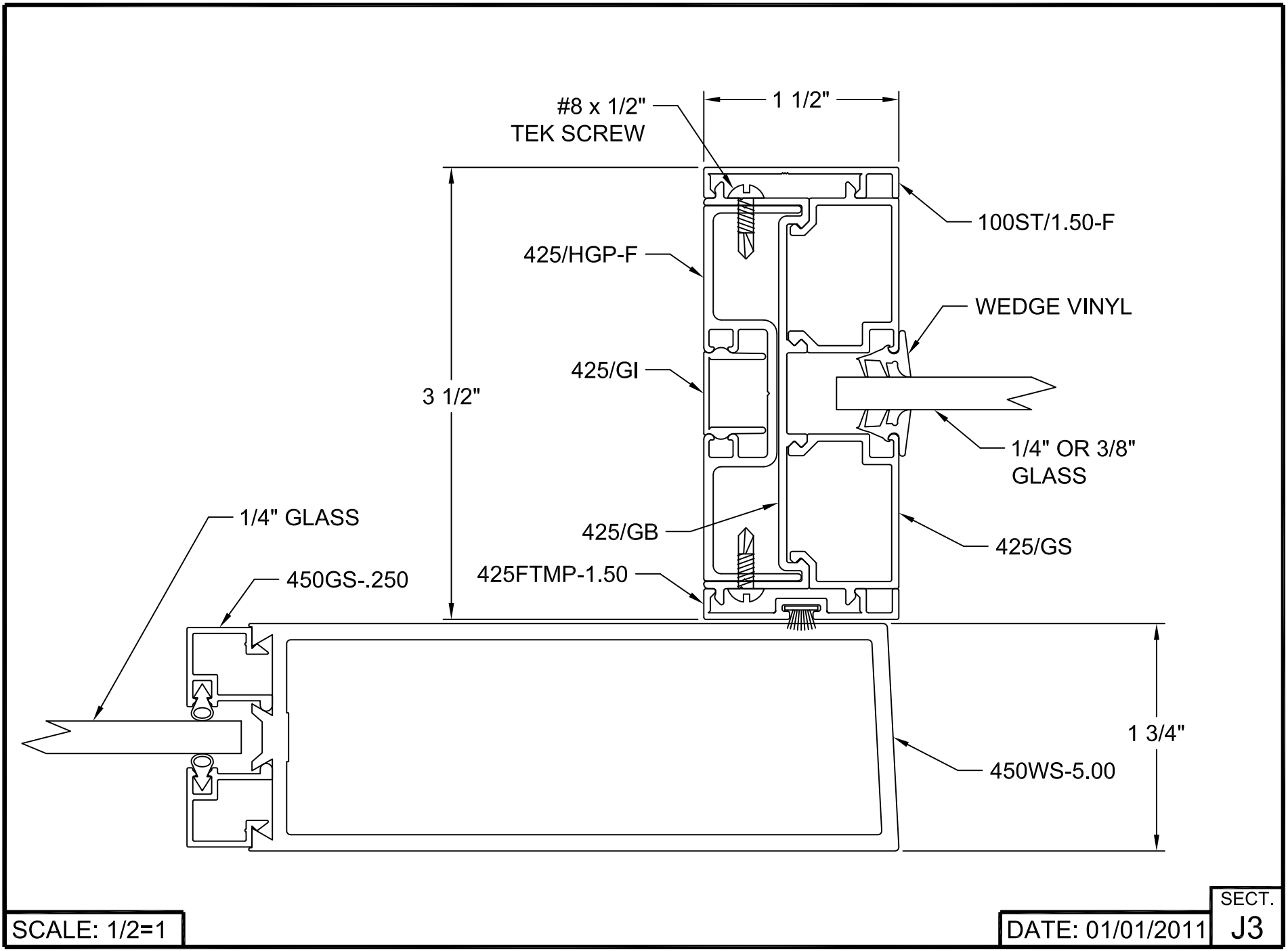
SECT.
H2



SCALE: 1/2"=1'

DATE: 01/01/2011

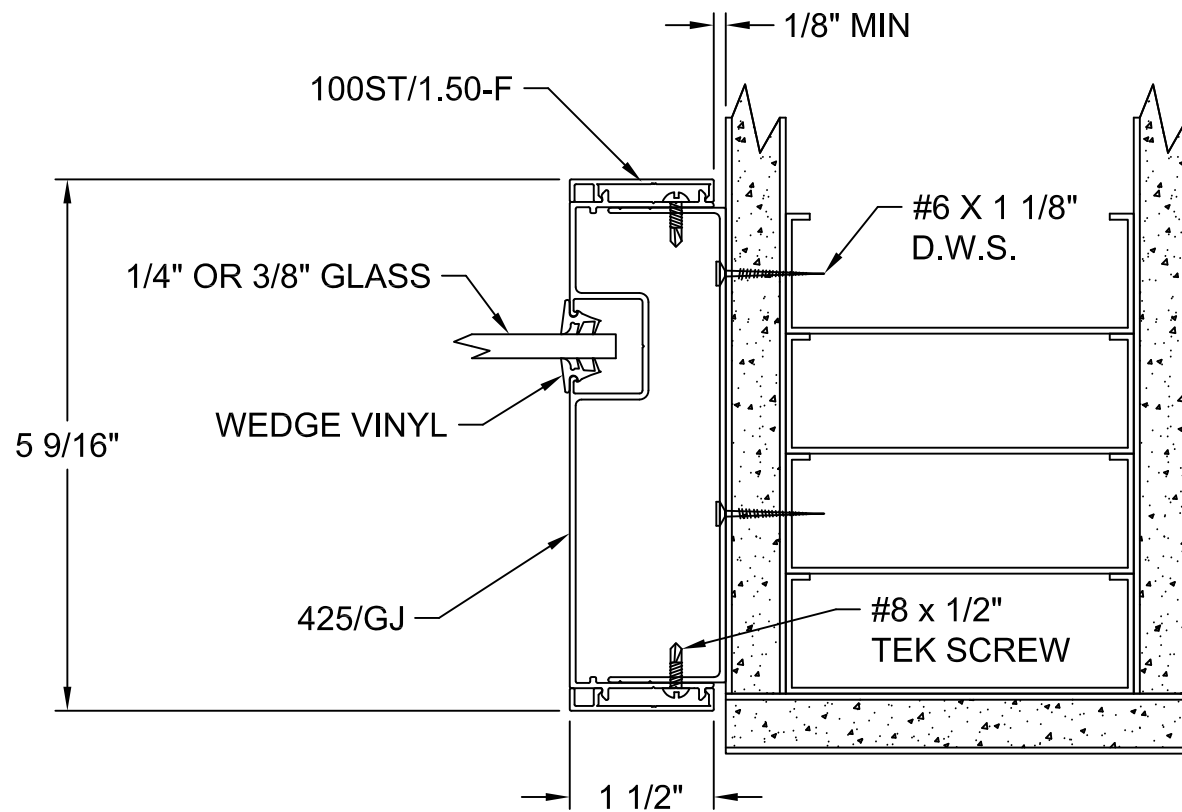
SECT.
J1



SCALE: 1/2"=1

DATE: 01/01/2011

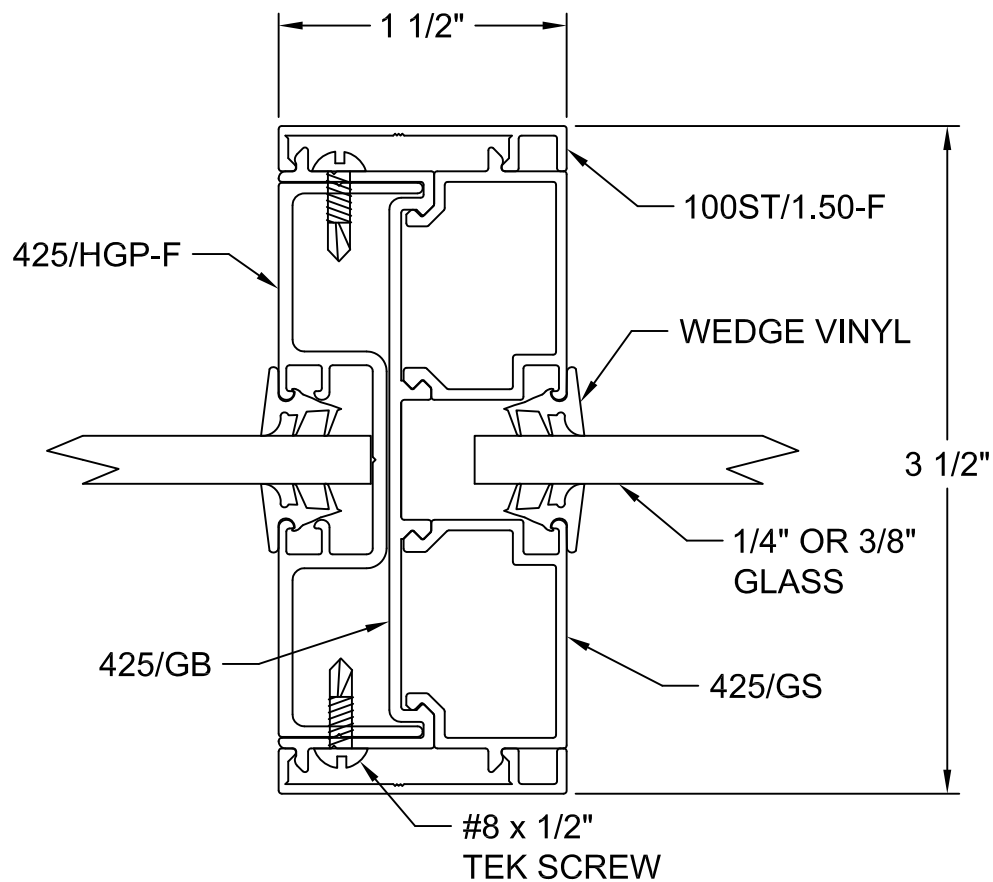
SECT.
J3



SCALE: 1/2=1

DATE: 01/01/2011

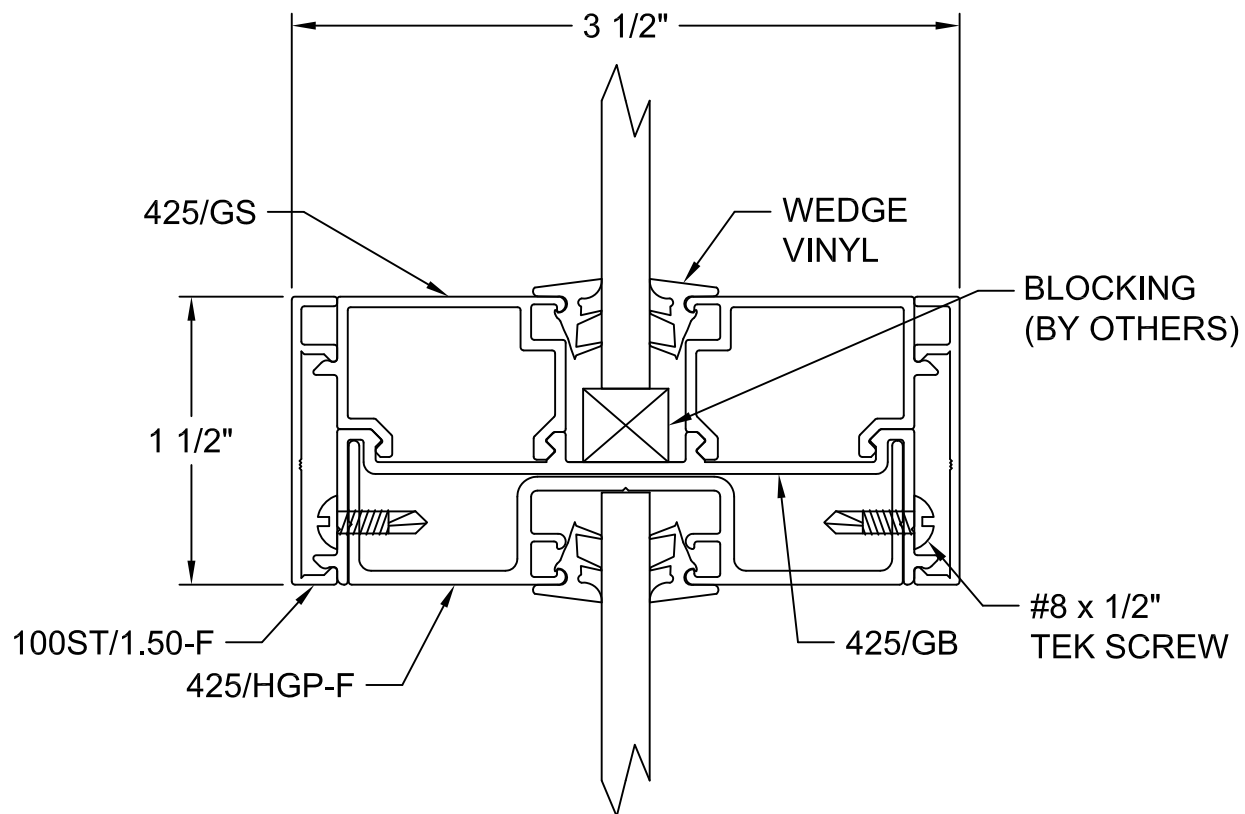
SECT.
J4



SCALE: 1=1

DATE: 01/01/2011

SECT.
M1



SCALE: 1=1

DATE: 01/01/2011

SECT.
M2